

## PATENT SPECIFICATION

Convention Date (United States) : April 2, 1934.

454,505

Application Date (in United Kingdom) : April 1, 1935.

No. 10064/35.

Complete Specification Accepted : Oct. 1, 1936.



## COMPLETE SPECIFICATION

## Improvements in or relating to Slicing Machines

We, BERKEL & PARNALL'S SLICING MACHINE MANUFACTURING COMPANY LIMITED, a British Company, of Aden Road, Ponders End, Middlesex, England, do hereby declare the nature of this invention and in what manner the same is to be performed, to be particularly described and ascertained in and by the following statement:—

This invention relates to slicing machines and particularly to the means provided in such machines for holding the substance to be sliced, such as meat, bread and the like, in proper position on the substance-support.

The primary object of the invention is to provide an improved substance-holder which is adapted to engage the substance to be cut to prevent movement or shifting of the substance on the substance-support, particularly while slices are being cut from the substance.

In accordance with the invention, in a slicing machine having a reciprocatory carriage for the substance to be sliced, means for feeding the substance over the carriage and across the cutting plane of the knife, and a substance-holder adapted so to engage the substance that the substance slides past said holder during the feed-movements but is held against movement by said holder during the slicing operation, the substance-holder is constituted by a structure which extends above and across the carriage and which consists of a support mounted on the carriage at one side thereof and a substance-engager disposed at the other side and adjustably attached to said support.

The improved substance-holder is particularly adaptable for use in connection with slicing machines of the semi-electric type; that is, the type in which the knife or blade is rotated by an electric motor and the reciprocation of the carriage is manual. In this type of slicer, the means for feeding the substance may consist of a pusher plate which is actuated for example by a spring device urging it towards a slice-thickness gauge plate positioned in a plane parallel to the cutting plane.

In one construction, the substance-engager is slidable but non-rotative on its

support and means are provided for locking it to and releasing it from the support. 55

In another construction, the substance-holder comprises a vertical support having an inturned upper end, a substance-engager also having an inturned upper end, said inturned upper ends having a serrated pivotal inter-connection, and spring means for urging the inter-connected ends into locking engagement. 60

Preferably, the support of the substance-holder is a rigid fixture on the carriage so that the substance-engager does not take part in the feed-movement imparted to the substance but continuously holds the substance at a place close to said plane. Further, the support of the substance-holder is mounted on the carriage at the leading side thereof and is associated with a side wall towards which the substance-engager is adapted to act on the substance at the rear side of the carriage. 65 70 75

The accompanying drawings, by way of example, illustrate two embodiments of the invention. In the drawing:—

Fig. 1 is an elevation of a slicing machine of the semi-electric type, to which machine the first embodiment is applied. 80

Fig. 2 is an elevation of part of a machine of the same type, to which the second embodiment is applied. 85

Fig. 3 is a fragmentary plan showing mainly the substance-holder according to Fig. 2.

The slicing machine shown in Fig. 1 has a base 10 upon which a carriage 11 is adapted to be manually reciprocated. The carriage 11 includes a plate 12 presenting a substance-supporting surface, this surface being of the "flat" type, although the invention is equally adaptable for substance-supports of the "V-shaped" or "trough" type. A gauge plate 13 is provided adjacent to the cutting edge of the knife 14 and parallel to the cutting plane thereof. The knife is rotated by an electric motor (not shown). A pusher plate 15 having a pusher plate arm bracket 16 is adapted for movement over the substance-supporting surface of the carriage to urge the substance S 90 95 100 105

[Price 1/-]

[This Drawing is a reproduction of the Original on a reduced scale.]

Fig. 1.

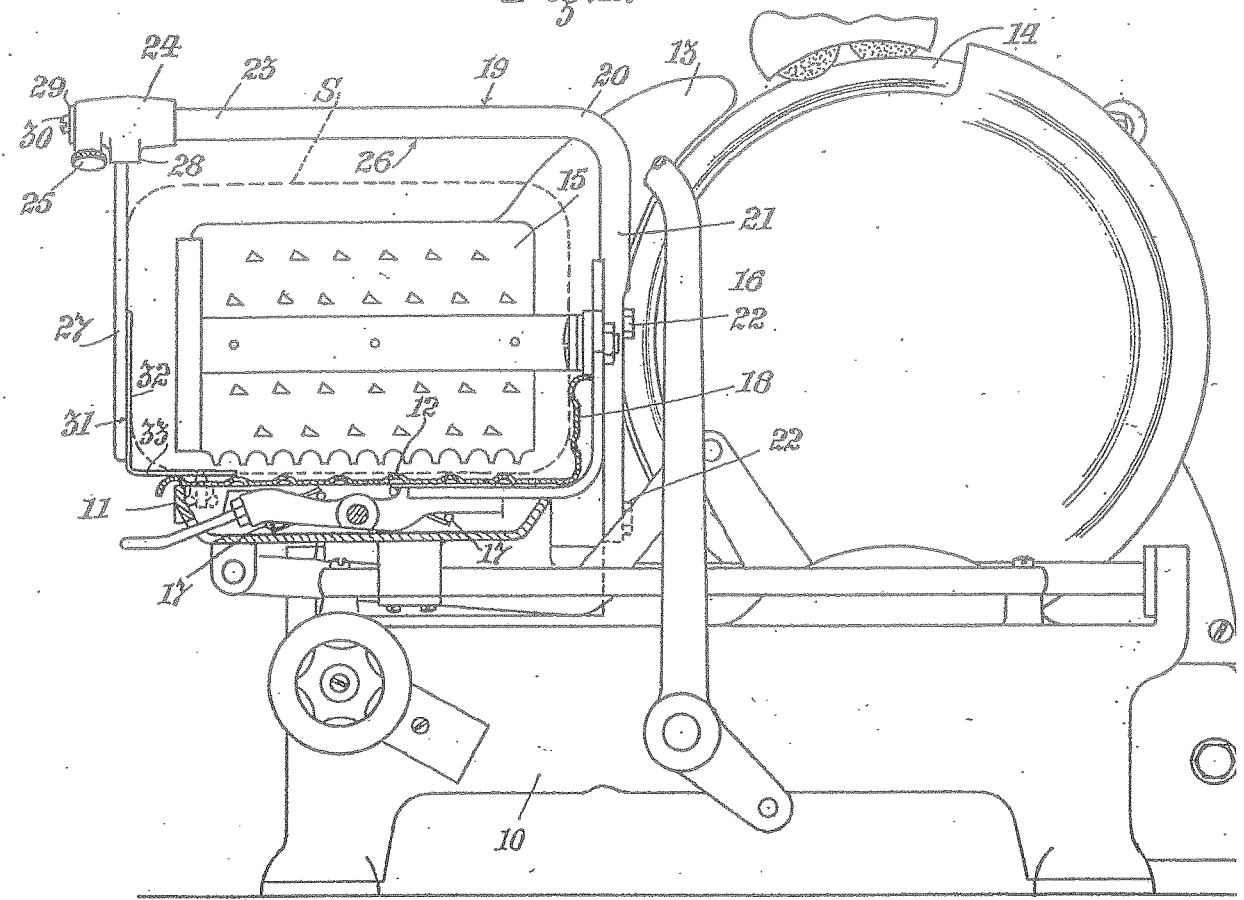


Fig. 2.

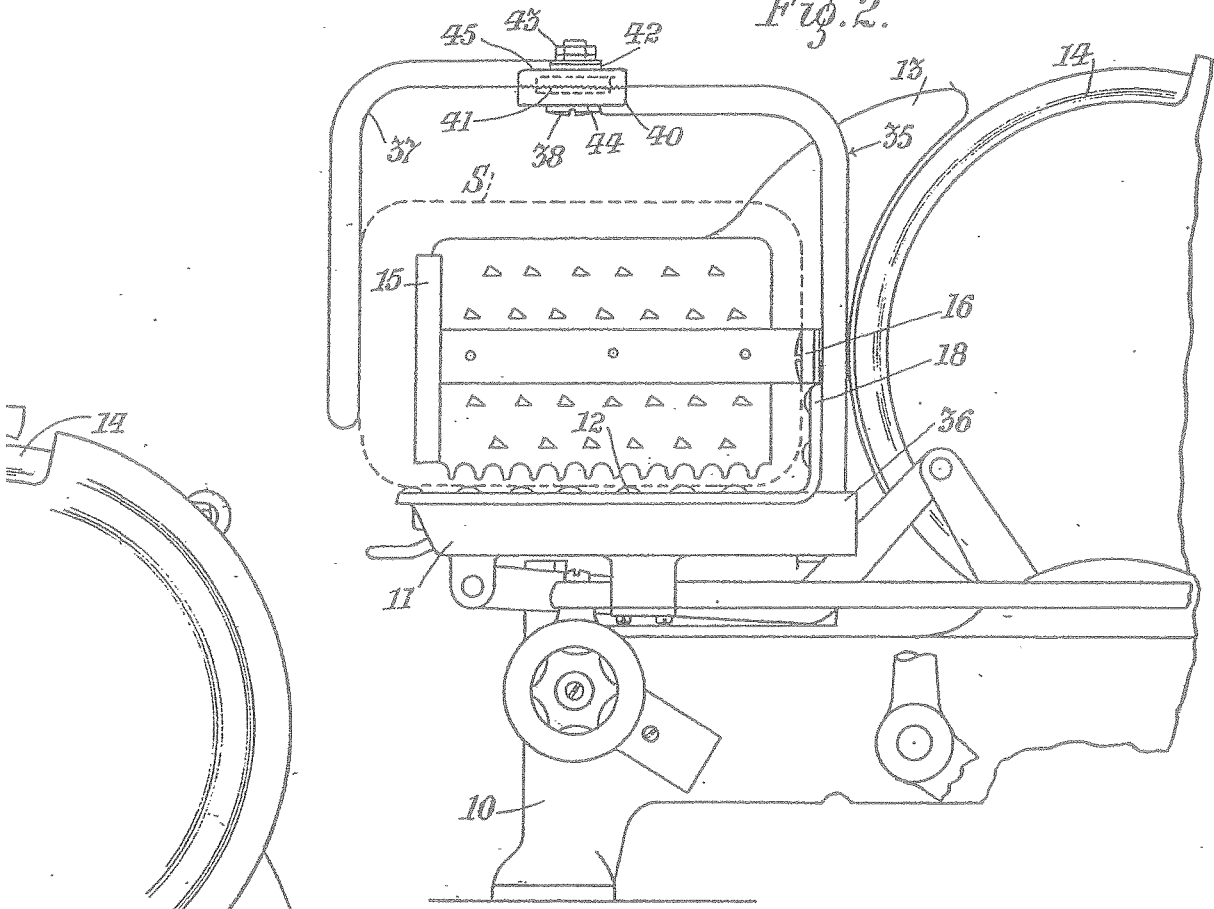
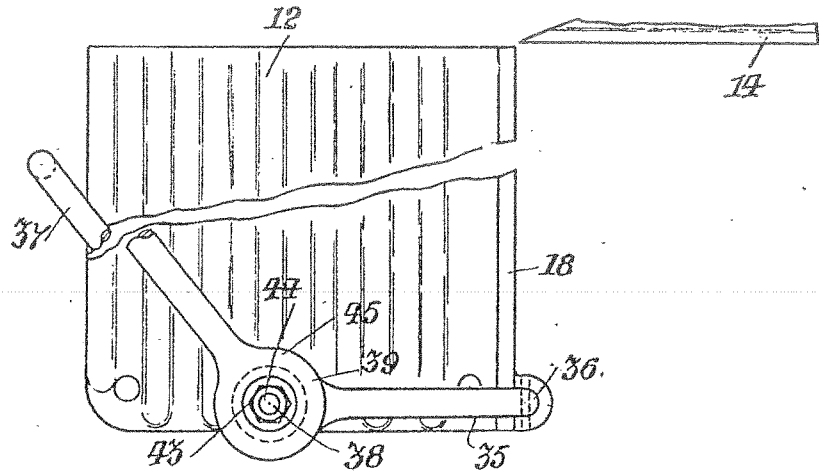


Fig. 3.



[This Drawing is a reproduction of the Original on a reduced scale.]

